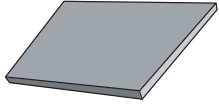


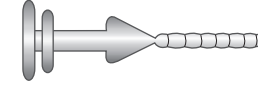
# Noise, Vibration and Shock Control Solutions for a Digital Video Recorder

## Enclosure Damping

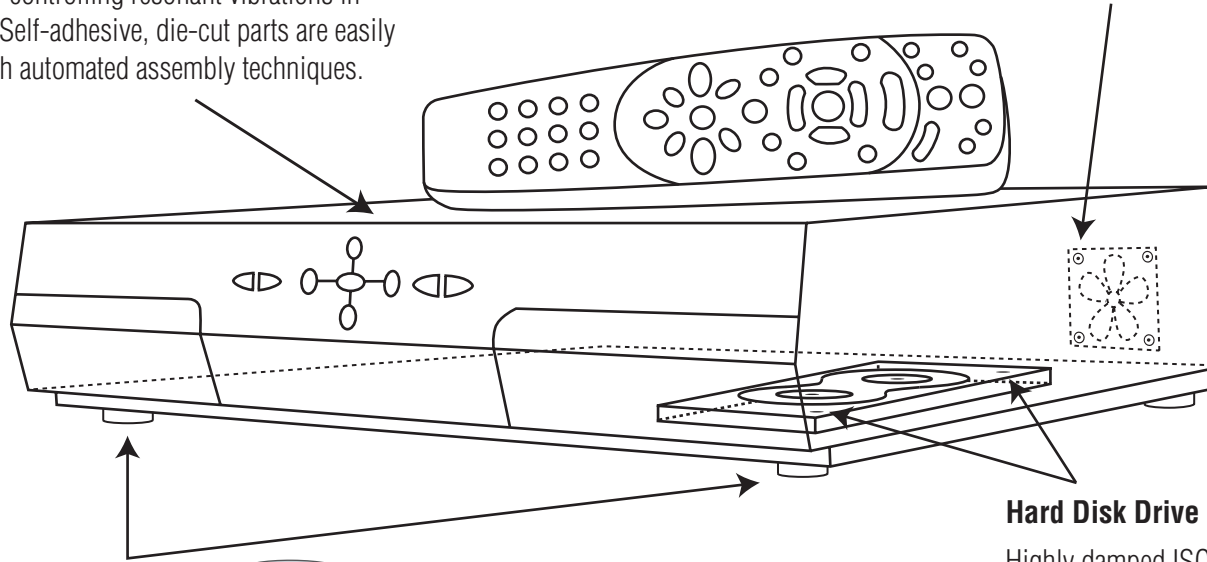


ISODAMP® viscoelastic damping sheets reduce radiated structureborne noise by controlling resonant vibrations in the enclosure's panels. Self-adhesive, die-cut parts are easily applied manually or with automated assembly techniques.

## Fan Isolation



Extensive testing has shown that isolation of air-moving devices with ISODAMP C-1000 series mounts provides the highest level of structureborne noise control. The mounts also eliminate the need for other mounting hardware and can be installed without tools.

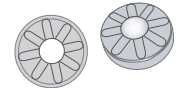


## Shock-Absorbing Equipment Feet



Component feet molded from highly damped ISODAMP C-1000 Series thermoplastics or ISOLOSS® elastomers decouple the chassis from its environment, providing shock protection and reducing transmission of structureborne noise into the set-top or supporting cabinetry.

## Hard Disk Drive (HDD) Isolation



Highly damped ISODAMP C-1000 series grommets isolate structureborne HDD noise, without affecting system performance. They also protect the HDD from other system and external shock and vibration sources.